



AVN815EZ

1.3 MP Wireless IP Camera

(PUSH VIDEO / EaZy Networking)

FEATURES

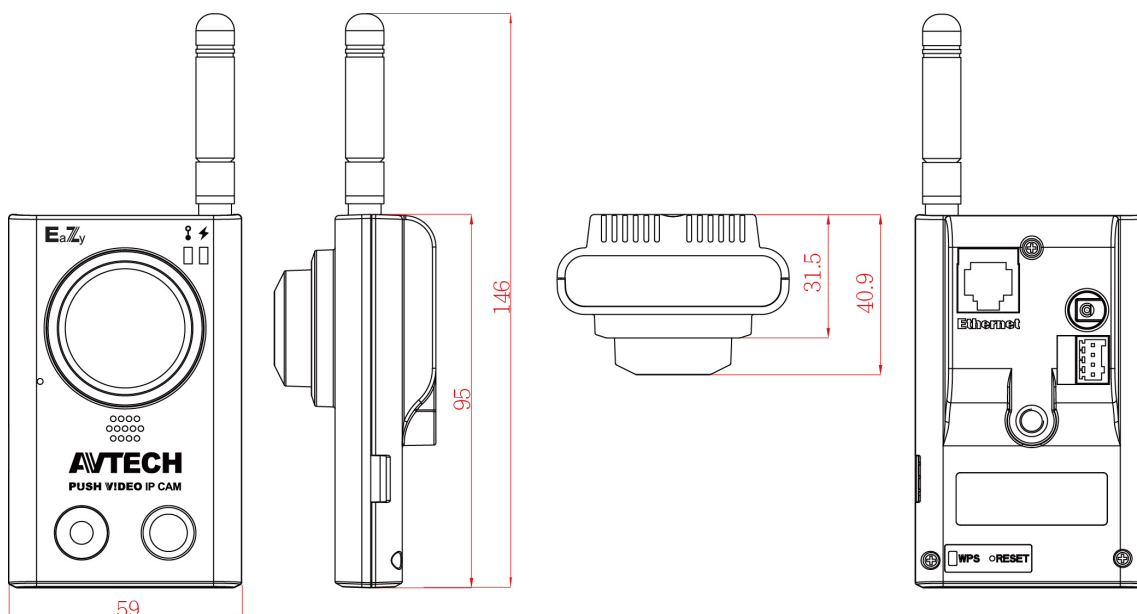
- Easy network setup
 - **EaZy Networking*** service available to connect your camera to Internet automatically in **three** steps
 - Easy guide to connect your camera to Internet manually with **iPhone / iPad / Android devices**
- Network access via either a **wireless IEEE 802.11 b/g/n connection** or a **wired Ethernet connection** to provide flexible installation options
- **Push Video** support to send an event notification to your iPad, iPhone and Android mobile device immediately once the specified event type is triggered, and play video recording once you confirm the receipt
- **1.3 Megapixel** with **HDTV 720p** quality, allowing users to notice minor details more easily
- **White LED** built-in to illuminate the scene manually, scheduled by a timer, or triggered by a motion, an alarm, or an audio event
- **Micro SD card** support for video storage
- **ONVIF** standard supported to simplify system integration
- **External alarm I/O device** connection
- Microphone & speaker built-in for **two-way audio transmission**
- **Remote Surveillance**
 - **Fully compatibility** on **iPhone & iPad**, and **Internet Explorer** on Windows operating system



SD Card Record



Dimensions (Tolerance: ± 5mm)



* EaZy Networking is a service to connect your camera to Internet automatically by plug and play, but it's not free. AVTECH will initially provide 500MB data allowance (approx. 260 minutes) for free. When 500MB is up, the network connection is down. To restore the service, users need to subscribe a data plan from AVTECH, or configure the network settings by themselves.



SPECIFICATIONS**

| ■ Network | |
|--|--|
| LAN Port | YES |
| LAN Speed | 10/100 Based-T Ethernet |
| Wireless Interface | IEEE 802.11 b/g/n |
| Antenna Gain | 2dBi |
| RF Connector | Reverse SMA Plug |
| Supported Protocols | DDNS, PPPoE, DHCP, NTP, SNTP, TCP/IP, ICMP, SMTP, FTP, HTTP, RTP, RTSP, RTCP, IPv4, Bonjour, UPnP, DNS, UDP, IGMP |
| ONVIF Compatible | YES (Profile S) |
| Number of Online Users | 10 |
| Security | (1) Multiple user access levels with password (2) IP address filtering (3) HTTPS encryption (4) WEP 64/128 bit, WPA/WPA2-PSK |
| Remote Access | (1) Internet Explorer on Windows operating system (2) EagleEyes on iPhone, iPad & Android mobile devices |
| ■ Video | |
| Video Compression | H.264 / MPEG4 / MJPEG |
| Video Resolution | SXGA, 720P, VGA, QVGA |
| Frame Rate | NTSC:30, PAL:25 |
| Multiple Video Streaming (Encode Modes, IPS, Resolution) | 3 (H.264, MJPEG, MPEG4) |
| ■ Camera | |
| Image Sensor | 1/4" SONY H.R. image sensor |
| Min Illumination | 0.1 Lux / F1.5, 0 Lux (White LED on) |
| Shutter Speed | 1 / 2 to 1 / 10,000 sec. |
| S/N Ratio | More than 48dB (AGC off) |
| Lens | f3.8mm / F1.5 |
| Viewing Angle | 62.7° (Diagonal) / 53.7° (Horizontal) / 34.1° (Vertical) |
| White LED | YES (1W, 10 meters) |
| White Balance | ATW |
| AGC | Auto |
| IRIS Mode | AES |
| PIR Sensor | Detection Range 76° wide angle with up to 6m long distance at 2m height (under 30°C) |
| Micro SD Card Slot | YES |
| External Alarm I/O | YES |
| Microphone | YES |
| Speaker | YES |
| Power Source (±10%) | 12V / 1A |
| Operating Temperature | 0°C~40°C |
| ■ Others | |
| Mobile Surveillance | iPad / iPhone / Android mobile device |
| Quick Wireless Network Connection | YES |
| RTC (real-time clock) | YES |
| Motion Detection | YES |
| Digital Pan / Tilt / Zoom | YES |
| Event Notification | FTP / Email / Push Video |
| Minimum Web Browsing Requirements | <ul style="list-style-type: none"> • Intel core i3 or higher, or equivalent AMD • 2GB RAM • AGP graphics card, Direct Draw, 32MB RAM • Windows 7, Vista & XP, DirectX 9.0 or later • Internet Explorer 7.x or later |

** The specifications are subject to change without notice.